



B6

Technical features B6 and B10:

Material: anodised aluminium

Maximum working pressure: 350 bar

Standard equipment:

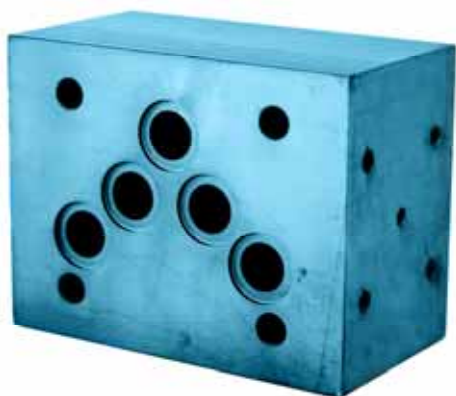
- screws to fix the pressure switch
- dowel to close the pressure ports not in use
- O-ring for seal

Dimension:

- B6 70 x 45 x 44 mm
- B10 90 x 70 x 50 mm

Weight:

- B6 0.37 Kg
- B10 0.8 Kg



B10

Technical features K7RID:

Material: zinc-plated carbon steel

Maximum working pressure: 350 bar

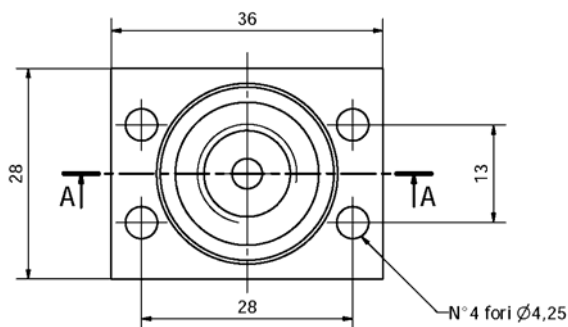
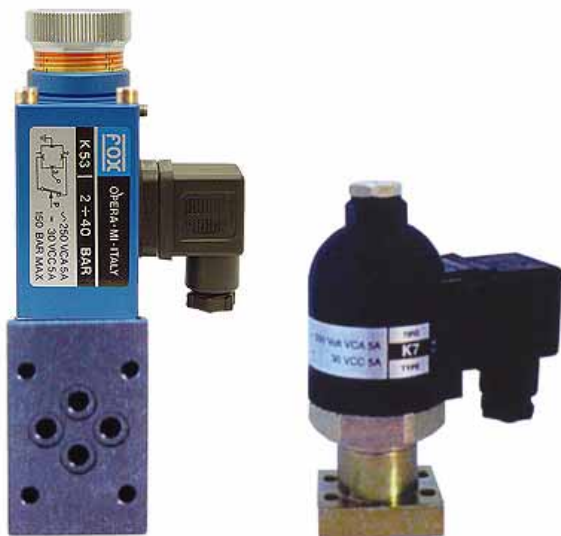
Standard equipment:

- socket head screws M4x16
- O-ring for seal

Weight: 0.07 Kg



Manifolds for the modular connection to the electrovalves CETOP 3 or 5 for the K5 series



K7RID
Adaptor for K7 and K9